



# Installation and Operating instructions

(Translation of the original operating instructions)

## TEKA suction arms



## Table of contents


<b>1. General</b>	<b>3</b>
<b>2. Description of the suction arms</b>	<b>4</b>
2.1. Functionality of the system	4
2.2. Intended use	4
<b>3. Safety instructions</b>	<b>5</b>
3.1. Definition of the hazard symbols	5
3.2. General safety instructions	5
<b>4. Storage, transport and installation</b>	<b>6</b>
<b>5. Commissioning</b>	<b>7</b>
5.1. Conversion of the lower joint	7
5.1.1. Sample applications	7
5.2. Adjustment at the suction arm	8
5.2.1. Suction arm with internal joints, hose type	8
5.2.2. Suction arm with internal joints	9
5.2.3. Suction arm with external joints	10
5.2.4. Installing the extraction hood on the suction arm	11
5.2.5. Lubricating the plastic flanged ring	12
5.3. Installation at the wall	12
5.3.1. Wall bracket	13
5.3.2. Wall console	15
5.3.3. Piping to the wall bracket	16
5.3.4. Pipe bend to the wall bracket or wall console	20
5.4. Attachment to a mobile filter unit	22
5.5. Attaching to a wall unit	23
5.5.1. Mounting of a suction arm to a wall-mounted device	23
5.5.2. Mounting of a wall bracket with a wall-mounted device	26
5.6. Adjusting of the joints	27
<b>6. Maintenance</b>	<b>27</b>
6.1. Reset to maintenance state	27
6.2. Readjusting the joints	27
6.3. Relubricating the plastic flanged ring	28
6.4. Inspecting the fixing test of the wall console	28
6.5. Inspecting the fixing and functioning of the wall bracket	29
<b>7. Dismantling / Disposal</b>	<b>30</b>
<b>8. Diagnostics and troubleshooting</b>	<b>30</b>
<b>9. List of spare parts</b>	<b>30</b>
9.1. Hose type, with internal joints	31
9.2. Hose type, with external joints	32
9.3. Pipe type, with internal joints	32
9.4. Pipe type, with external joints	33

<b>10. Technical data</b>	<b>34</b>
<b>11. Maintenance intervals</b>	<b>35</b>
11.1. Usage-related maintenance	35
11.2. General maintenance	35
11.2.1. Visual inspection of the suction arm	35

## 1. General

Congratulations on purchasing the product from TEKA.

Our engineers ensure that our devices reflect the state of the art through continuous development. Nevertheless, misuse or misconduct can endanger your safety. Please observe the following for a successful use of the device:

	<p>Only authorised and instructed personnel can carry out transport, operation, maintenance and repair of the device. The operator must ensure that the operating personnel take note of these instructions.</p> <p>Please read these instructions before operating the device, and observe the safety precautions to avoid injury!</p> <p>Store this manual in a safe place! These instructions are to be regarded as a component of the product!</p> <p>Adhere to all product notes!</p> <p>Modifications or conversions that the operator carries out at the device without the consent of the manufacturer, can lead to new safety hazards or to the loss of warranty claims.</p> <p>Observe the manufacturer's instructions. Contact the manufacturer in case of any uncertainty: Tel: +49 2541-84841-0 E-mail: <a href="mailto:info@teka.eu">info@teka.eu</a></p>
---	---

## 2. Description of the suction arms

### 2.1. Functionality of the system

The suction arm can be set by the user in any desired position within his range and can be adjusted using the smooth-running joints.

The particles produced during welding, for example, are drawn off by the extraction hood and taken away by the hose leading to the connected suction unit.

The suction strength can be adjusted regardless of the actual suction force of the connected suction unit by means of the built-in regulator flap in the extraction hood.


The extraction hood must track the welding seam, possibly taking advantage of the thermally induced welding fume movements.

**CAUTION** However, it is important to ensure that connections between the workpiece and the extractor hood (and generally between the workpiece and filter device) are avoided, so that, if necessary, the welding current cannot flow back through the protective conductor of the filter device to the welding machine.

If several suction arms are connected to a central extractor unit, you should always shut the flap at once (to save energy). This applies in particular if you do not require the extractor unit for a longer period or if you leave the workplace.

### 2.2. Intended use


The suction arm is primarily used for the localized extraction of smoke, gases, fumes and dust. The suction arm is connected directly to an extraction blower or a suction unit or a suction line.


	<b>WARNING</b>
<p><b>Improper use can damage parts and be a danger to life and limb!</b></p> <p>The suction arm must not be used for the extraction of:</p> <ul style="list-style-type: none"><li>- damp, liquid or vapour-like materials,</li><li>- smouldering or burning substances (including cigarettes),</li><li>- gases / materials outside a temperature range from -30 °C to +100 °C.</li><li>- gases or materials that are potentially explosive,</li><li>- substances crystallising out in layers that are impermeable to air,</li><li>- substances that are sticky or which cling due to static, or</li><li>- materials that create sparks.</li></ul>	


### 3. Safety instructions


#### 3.1. Definition of the hazard symbols

The suction arms are constructed according to the state of the art and the recognised safety regulations. Nevertheless, during use threats to life and limb of the user or other persons may arise. The impairment of the machine or other property are also possible. In these instructions we warn by using corresponding indications.


	<b>WARNING</b> <b>WARNING</b> These instructions are made in case of risks that can lead to <u>injury or death</u> .
---	--

	<b>CAUTION</b> <b>CAUTION</b> These instructions are made in case of risks that can lead to <u>injury</u> .
---	---


	<b>NOTICE</b> <b>NOTICE</b> These instructions are made in case of risks that can lead to <u>material damages</u> .
--	---


	Information notes are no hazard warnings; they call attention to useful information.
---	--

#### 3.2. General safety instructions


	<b>WARNING</b> <b>Dangers arising from improper use / unauthorised operations.</b> The operator must ensure that their authorised personnel are familiar with all the safety indications in this manual in advance. The operator is responsible for ensuring that all work is carried out by authorised and qualified personnel.
---	--

## 4. Storage, transport and installation

	<p data-bbox="400 412 533 439"><b>WARNING</b></p> <p data-bbox="331 454 1305 481"><b>Risk of injury arising from the falling of the suction arm mounted to the wall.</b></p> <p data-bbox="331 488 1436 577">The suction arm must be firmly mounted to the destined wall. The wall must be vibration-free and vertical. The operator must check if the wall provides a sufficient bearing capacity. This also applies to the attachment of wall brackets and wall consoles, if used.</p> <p data-bbox="331 645 549 672"><u>Static instructions:</u></p> <p data-bbox="331 692 1436 784">When used properly, enormous torques can occur at the wall bracket of a TEKA suction arm. Therefore, the underground intended for the assembly of the suction arm has to be examined critically if it is suitable for such a static load.</p> <p data-bbox="331 804 695 831">We recommend the fixation at:</p> <ul data-bbox="379 851 1436 1008" style="list-style-type: none"><li>• a concrete column. Attention: Use heavy-duty dowels or drill completely through the column and insert an appropriate counter-plate.</li><li>• a steel column. Use appropriate machine screws M 12.</li><li>• concrete walls. Use heavy-duty dowels.</li></ul> <p data-bbox="331 1028 1436 1088">If you want to fix it to a brick wall, check carefully whether it can absorb the additional load. In a critical case, we recommend to use bolts that run through the wall and a counter-plate.</p> <p data-bbox="331 1108 1436 1169">If there is no appropriate underground, the crane can also be fixed at one of the following constructions:</p> <ul data-bbox="379 1189 1436 1440" style="list-style-type: none"><li>• Free-standing column. The ground plate (minimum thickness of 10 mm) has to be anchored sufficiently to a concrete floor. The height of the column depends on the assembly height of the suction arm. If you also want to assemble a filter unit, refer to the corresponding operating instructions for the assembly height.</li><li>• Continuous column. From the ground up to the ceiling. The cross-section has to be designed according to the length of the column.</li><li>• Ceiling assembly. The crane is fixed at steel girders or at a concrete ceiling.</li></ul>
---	---

	<p data-bbox="416 1496 520 1523"><b>NOTICE</b></p> <p data-bbox="331 1538 1238 1568"><b>Damage or functional impairment of the unit due to climatic influences.</b></p> <p data-bbox="331 1574 1436 1635">The unit must be stored in a dry place and protected against moisture during transport. As a matter of principle, the filter unit is not designed to be installed outside.</p>
---	--

## 5. Commissioning

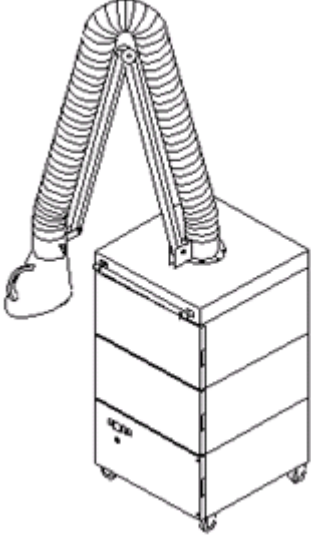
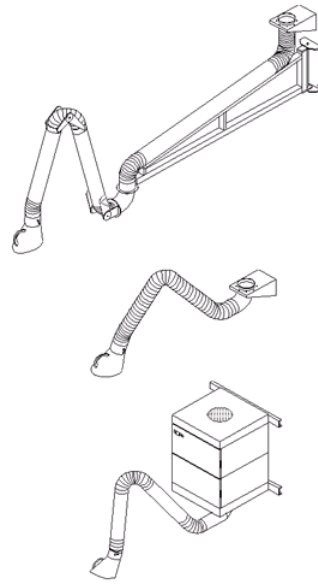

	WARNING
<p><b>Dangers arising from a defective condition of the unit.</b>                  Make sure that the measures described in this chapter are completed before the commissioning of the unit. All required connections must be attached before turning the unit on. Do not operate the unit if any components are defective, missing or damaged. Check the orderly condition of the unit before switching it on.</p>	

### 5.1. Conversion of the lower joint

For transport-related reasons, the delivery state of the suction arm is suitable for **standing installation**. The lower joint is pre-mounted accordingly.

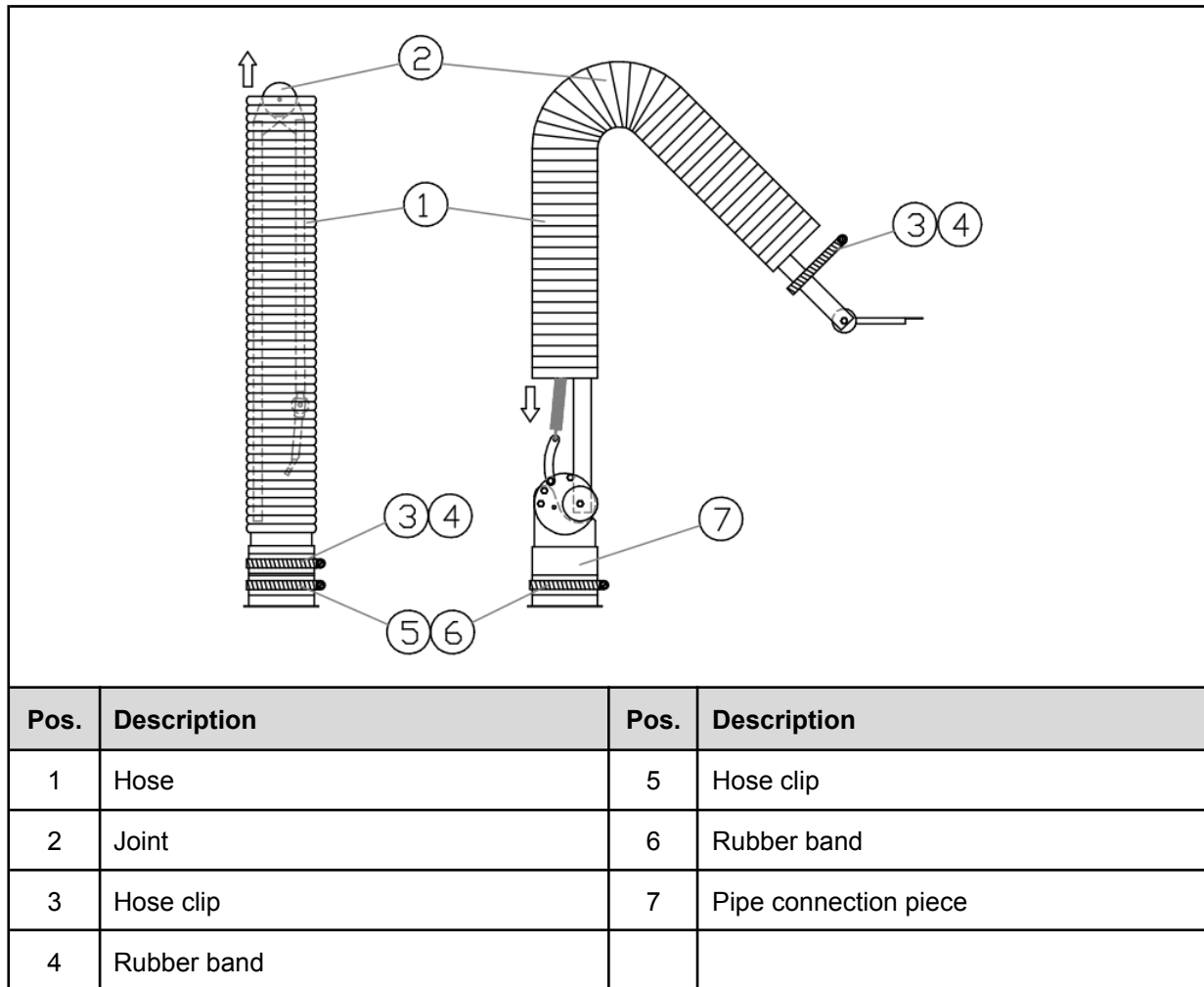
The suction arm can also be used for a **wall installation**. Therefore the lower joint must be converted. The procedure is described in the following chapter.

#### 5.1.1. Sample applications

Standing installation	Wall installation
	
<p>A conversion of the joint is not necessary.</p>	<p>The lower joint must be converted:</p> 

## 5.2. Adjustment at the suction arm

### 5.2.1. Suction arm with internal joints, hose type

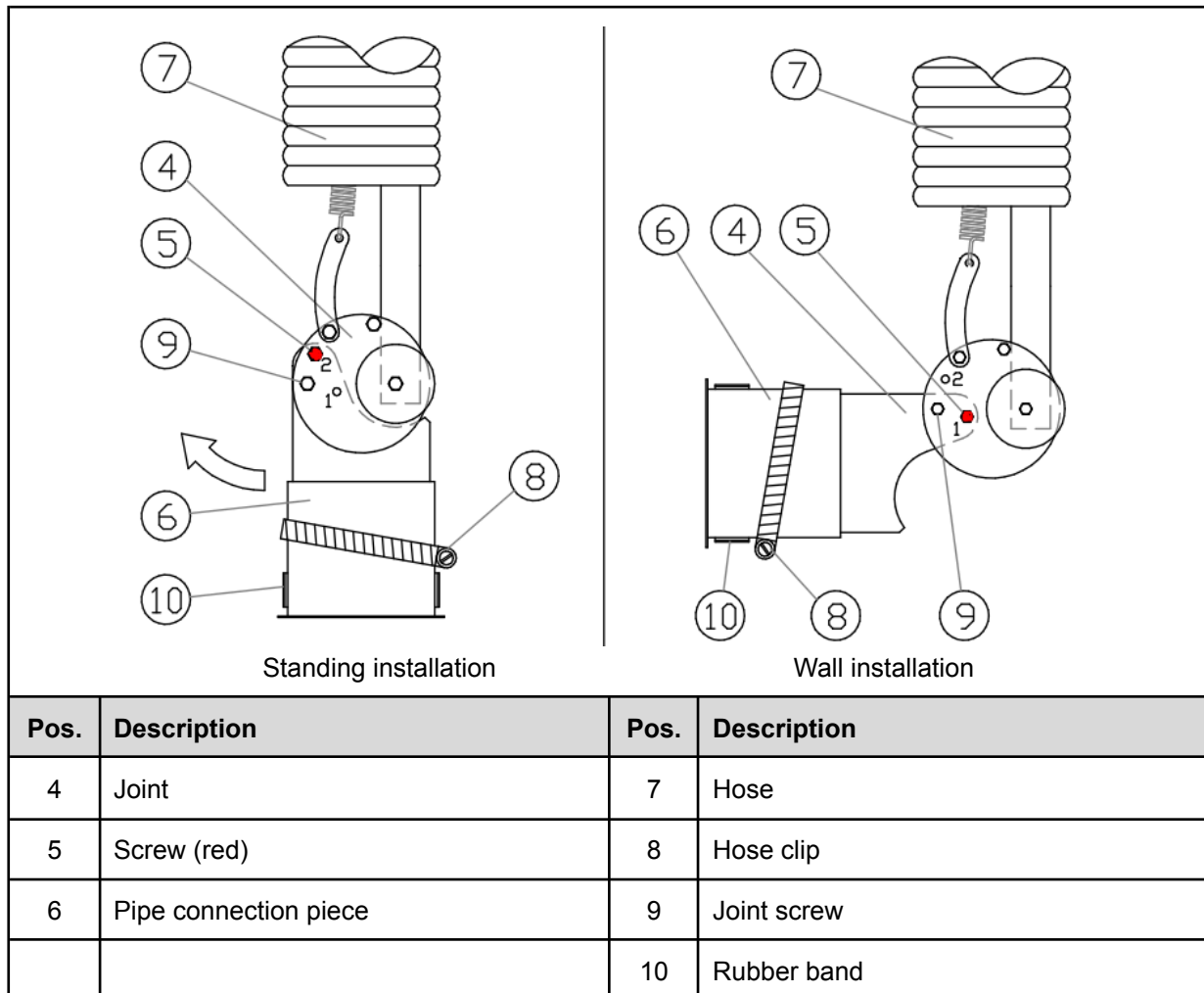


Proceed as follows for the installation of the suction arm:

- Pull the hose (1) completely off the suction arm that has been folded up.
- Fold out the two sections of the suction arm at the joint (2).
- Undo the upper hose clip (3) and the rubber band (4), and pull it off the suction arm.
- Pull the hose (1) over the extended suction arm.
- Undo the lower hose clip (5).
- Fasten the hose (1) to the pipe connection piece (7) with the lower hose clip (5).
- Seal the transition between the hose (1) and the pipe connection piece (7) with the rubber band (6). The rubber band may also cover the hose clip (5).



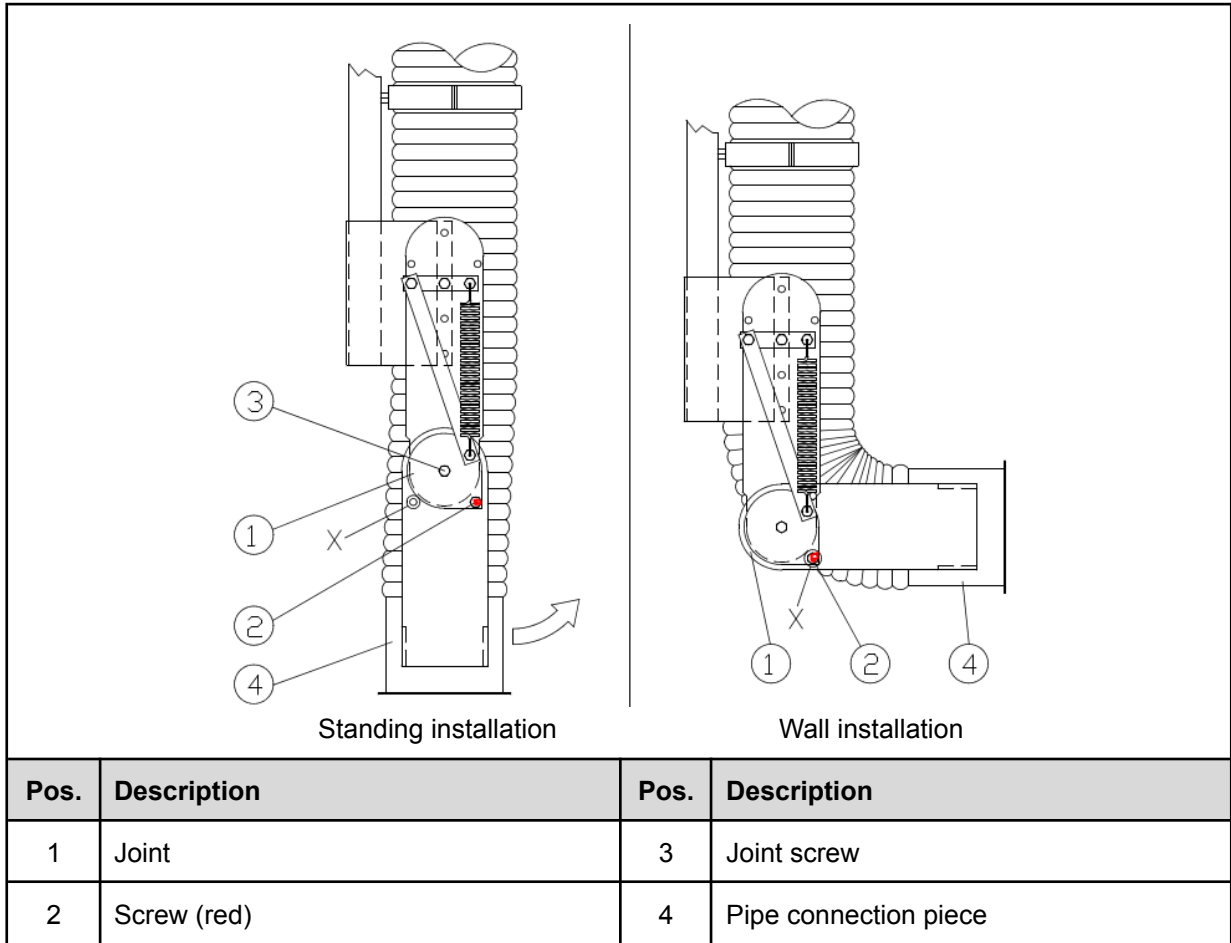
5.2.2. Suction arm with internal joints



When the lower joint must be converted for the application of a **wall installation**, proceed as follows:

- Undo the hose clip (8) and the rubber band (10), and pull the hose (7) off the suction arm until the joint (4) is free.
- Undo the red screw (5) and pull it out of the hole marked '2'.
- Rotate the pipe connection piece (6) by 90 ° and put the red screw (5) through the hole marked '1'. If necessary, make it easier to rotate the pipe connection piece by undoing the joint screw (9) however subsequently it is essential that the joint screw is retightened as before.
- Tighten the red screw (5).
- Push the hose (7) over the joint (4) and attach it to the pipe connection piece (6) with the hose clip (8).
- Seal the transition between the hose (7) and the pipe connection piece (6) with the rubber band (10). The rubber band may also cover the hose clip (8).

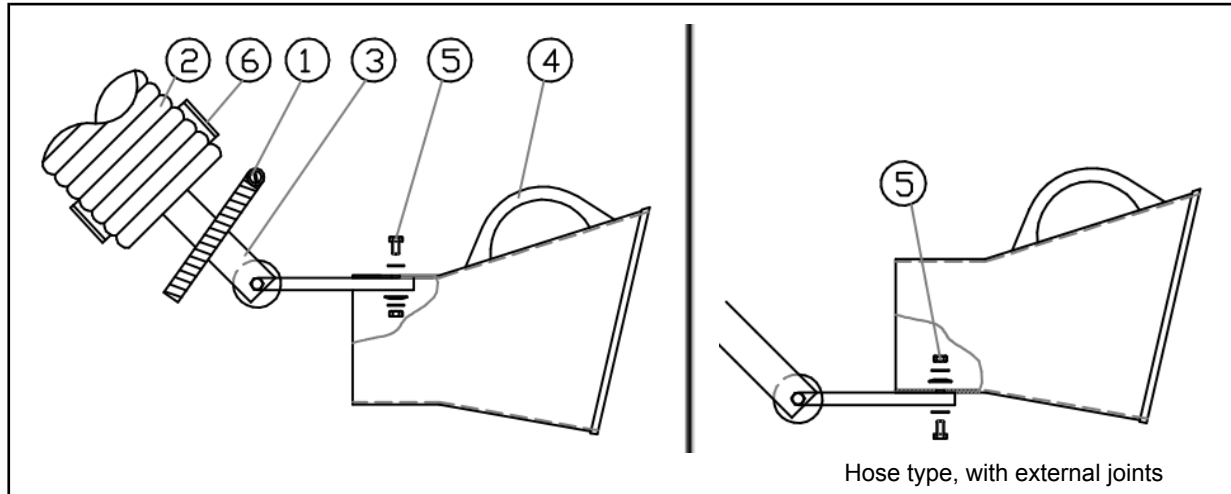
5.2.3. Suction arm with external joints

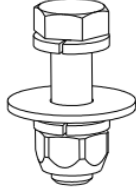


When the lower joint must be converted for the application of a **wall installation**, proceed as follows:

- Undo the red screw (2) at the joint (1) and pull this out of the hole.
- Rotate the pipe connection piece (4) by 90 ° about the joint screw (3). If necessary, make it easier to rotate the pipe connection piece by undoing the joint screw (3); however subsequently it is essential that the joint screw is retightened as before.
- Push the red screw (2) through the hole marked 'x' and tighten the screw.

5.2.4. Installing the extraction hood on the suction arm




Pos.	Description	Pos.	Description
1	Hose clip	5	 <p>DIN 931, M8x30 DIN 127, A8</p> <p>DIN 522, Ø8/Ø25 DIN 127, A8 DIN 980, M8</p>
2	Hose		
3	Suction arm		
4	Extraction hood	6	Rubber band

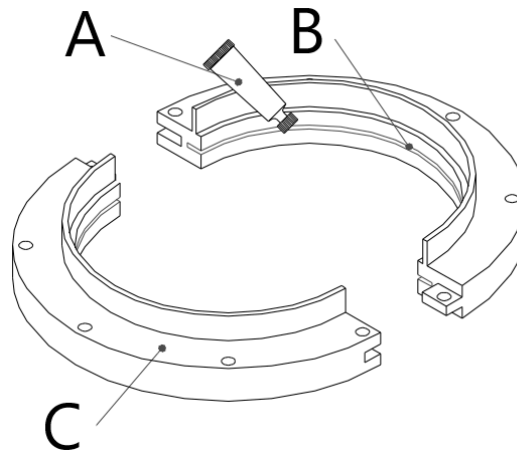
Proceed as follows for the installation of the extraction hood to the suction arm:

- Push the rubber band (6) and hose clip (1) over the hose (2) of the suction arm (3).
- Attach the extraction hood (4) to the suction arm using the supplied assembly material (5).  
**NOTICE** With the “Hose type, with external joints” version, the extraction hood is to be screwed loosely on the outside. Only when the hose is attached to the extraction hood the screw should be tightened.
- Push the end of the hose over the connection piece of the extraction hood.
- Attach the hose with the included hose clip.
- Seal the transition between the hose (2) and the extraction hood (4) with the rubber band (6). The rubber band may also cover the hose clip (1).

### 5.2.5. Lubricating the plastic flanged ring

 This work step is not necessary during the initial start-up if the plastic flanged ring is already pre-assembled. In this case, the lubricating paste is already applied.

The plastic flanged ring must be relubricated at regular intervals. At the latest, however, when the suction arm can no longer be rotated easily.




- In order to be able to relubricate the plastic flanged ring (C), the suction arm first must be dismantled. If necessary, observe the assembly instructions in this operating instruction.
- Open the tube (A) of the lubricating paste, and lubricate the guide groove (B) with it.  
**NOTICE** The content of one tube is sufficient for a 2-part plastic flanged ring. Only use original TEKA lubricating paste (see list of spare parts).

### 5.3. Installation at the wall

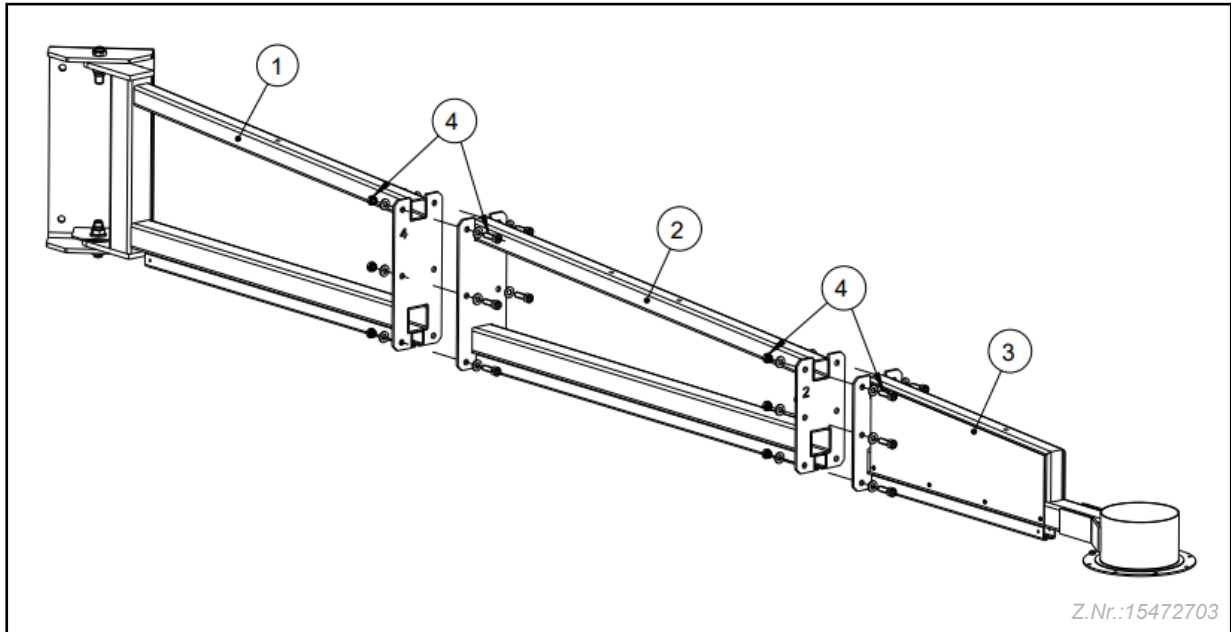
Depending on the type of suction arm, installation is carried out in various ways. The installation steps described here may not all be necessary for the suction arm that you have purchased. If you have any further questions, please contact the customer service section of.

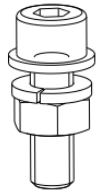
Proceed as follows for the attachment of suction arms for wall installation:

- Conversion of the lower joint (see section 5.1.),
- Wall bracket (if the total length of the suction arm exceeds 4 metres).
- Wall console,
- Piping to the wall bracket,
- Install the pipe bend,
- Attach the suction arm to the pipe bend.

 Skip all the installation steps described below that are not required or relevant for your own individual suction arm.

### 5.3.1. Wall bracket

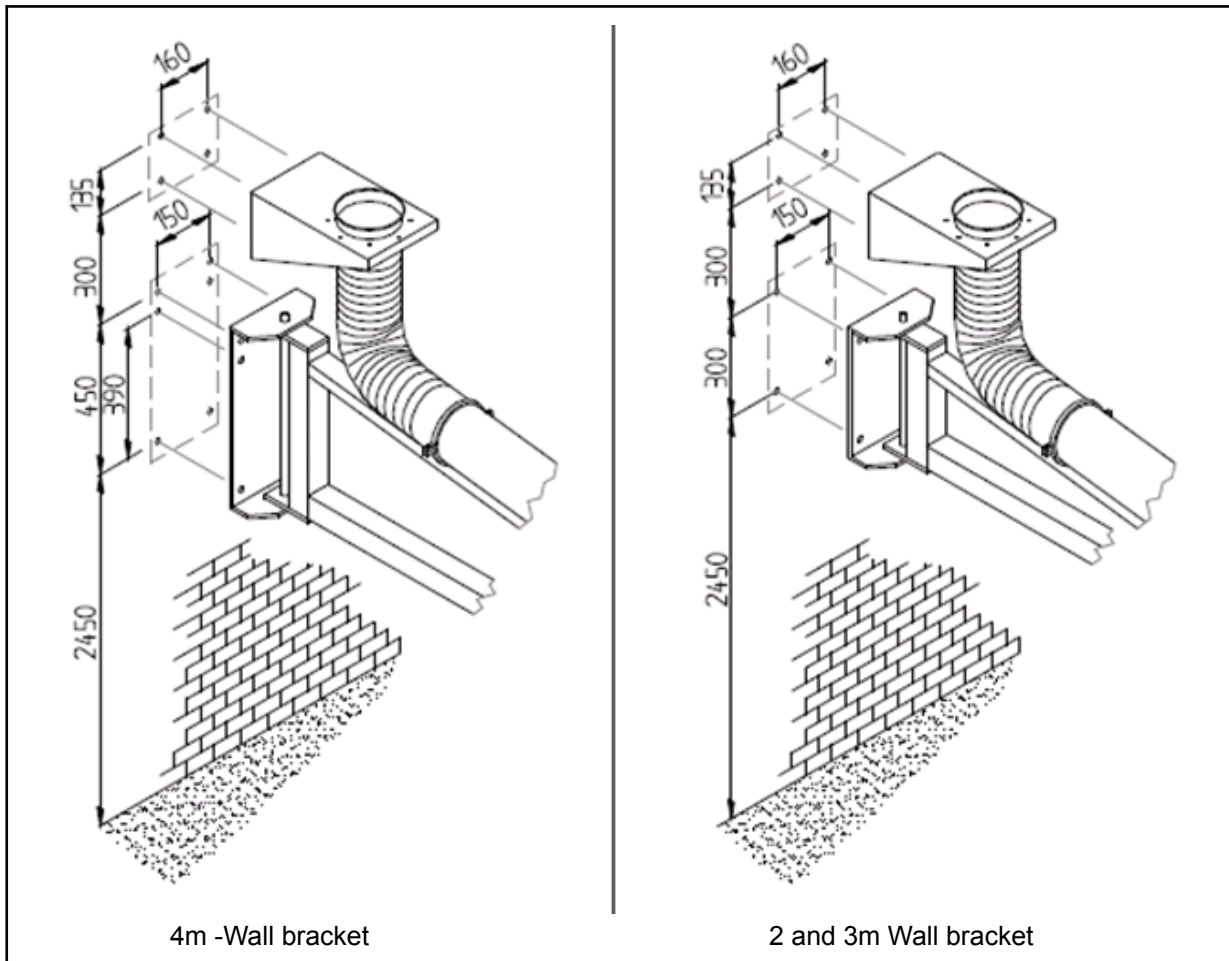


Pos.	Description	Pos.	Description
1	Wall section	3	Nozzle section
2	Middle section (0 or 1 or 2 elements, depending on the length of the wall bracket)	4	 <ul style="list-style-type: none"> <li>DIN 912, M10x30</li> <li>DIN 125, A10</li> <li>DIN 127, A10</li> <li>DIN 934, M10</li> </ul>

A wall bracket is required for all suction arms that exceed a total length of 4 metres and which are to be attached to the wall. The wall bracket is available in lengths of the 2, 3 and 4 metres.

The wall bracket is delivered in individual components and must be assembled. Proceed the assembly as follows:

- Attach the middle section (2) to the wall section (1) using the supplied assembly material (4).  
(The 2 meters-wall bracket is delivered without a middle section. The 4-meters-arm is delivered with 2 middle sections.)
- Attach the nozzle section (3) to the middle section (2) using the supplied assembly material (4).  
(In case of the 2-meters-wall bracket the nozzle section must be directly attached to the wall section.)



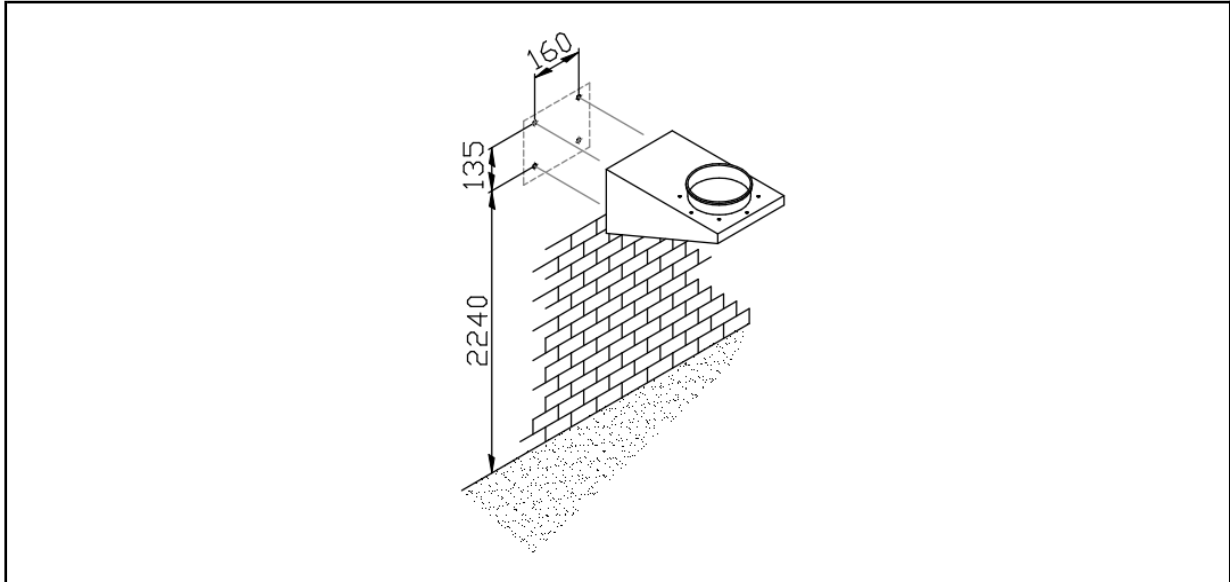
Mount the wall bracket to the wall as follows:

- Determine the assembly position for the wall bracket.

The wall bracket should be installed at a sufficient height so that persons working underneath it subsequently are not hindered in their work by the suction arm or the wall bracket.

- Mark out the four or six locations for the holes to be drilled in the wall and drill the holes. (Screws with a thread size of M 10 or M 12 are to be used. The screws must be capable of holding a total tensile load of around 250 kg.)
- Attach the wall bracket to the wall. The horizontal girder of the wall bracket must be underneath. It makes sense to mount the pipe to the wall bracket before mounting the wall bracket. Refer to the chapter "Piping to the wall bracket".

### 5.3.2. Wall console



The wall console is principally required for all suction arms that are to be fastened to the wall. The wall console is used as a connecting point for the downstream extraction.

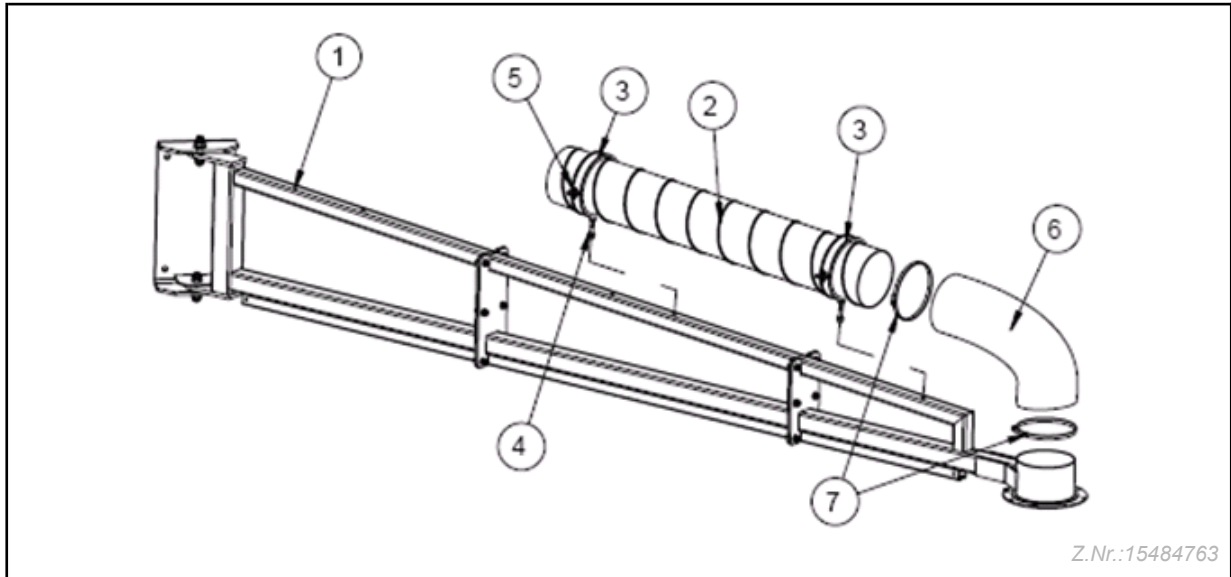
Proceed as follows with the installation:

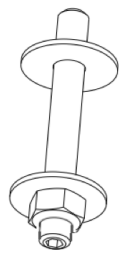
- Determine the assembly position for the wall console.

If it is to be installed together with a wall bracket, then maintain a clearance of around 300 mm between the wall console and the wall bracket. If it is to be installed without a wall bracket, the wall console should be installed at a sufficient height so that persons working underneath it subsequently are not hindered in their work by the suction arm.

- Mark out the four locations for the holes to be drilled in the wall and drill the holes. (Screws with a thread size of M 10 or M 12 are to be used. The screws must be capable of holding a total tensile load of around 250 kg.)
- Attach the wall console to the wall.

5.3.3. Piping to the wall bracket



Pos.	Description	Pos.	Description
1	Wall bracket, complete	5	Screw connection of the pipe clamp
2	Pipe	6	Hose (length 0,75 m)
3	Pipe clamp	7	Hose clamp
4	 <p>DIN 522, Ø8/Ø25 DIN 522, Ø8/Ø25 DIN 934, M8 DIN 913, M8x70</p>		

The pipe that connects the suction arm to the suction pipe must be attached to the upper beam of the wall bracket. We recommend attaching the pipe before mounting the wall bracket to the wall.

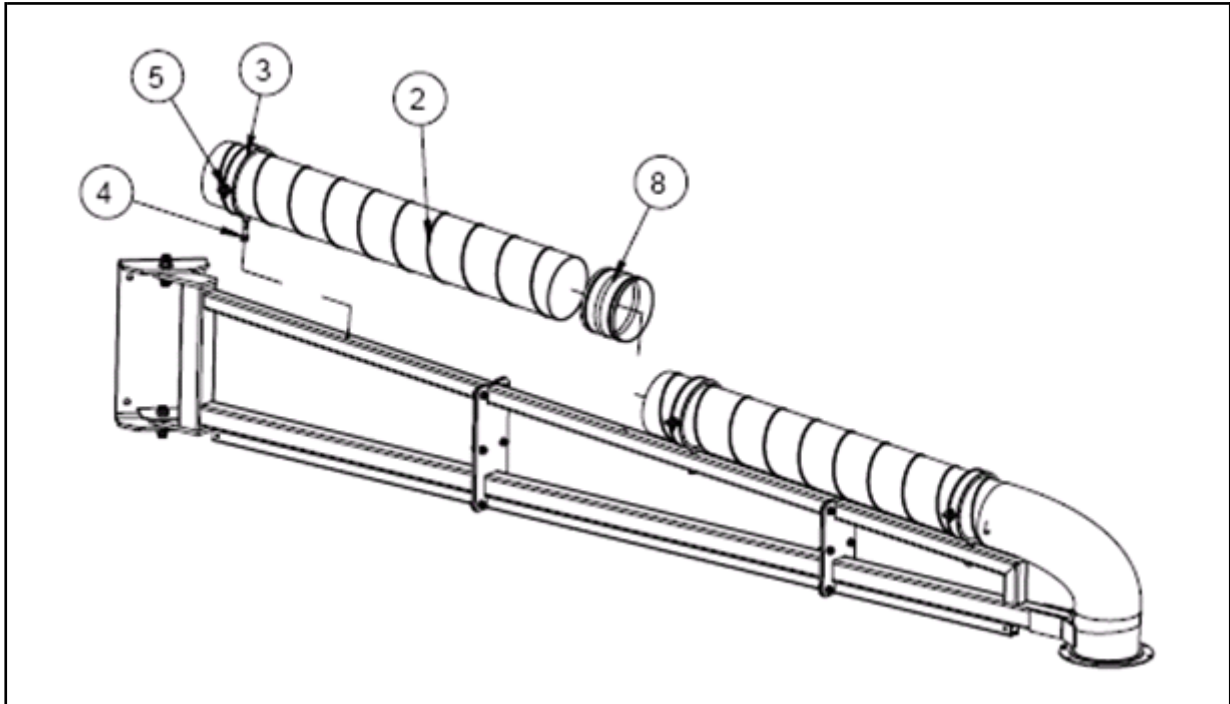
(Alternatively, the wall bracket can be attached to the wall beforehand and without the pipe and the pipe can be mounted to the wall bracket afterwards.)

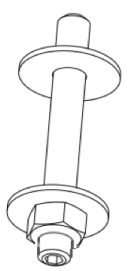
Start with the assembly at the nozzle section:

- Mount the pipe (2) by means of the pipe clamps (3) to the upper square beam of the wall bracket (1). The pipe clamps must be positioned in the existing bores of the wall bracket and attached with the supplied assembly material (4). The pipes are fixed in the pipe clamps by means of their screw connections (5).



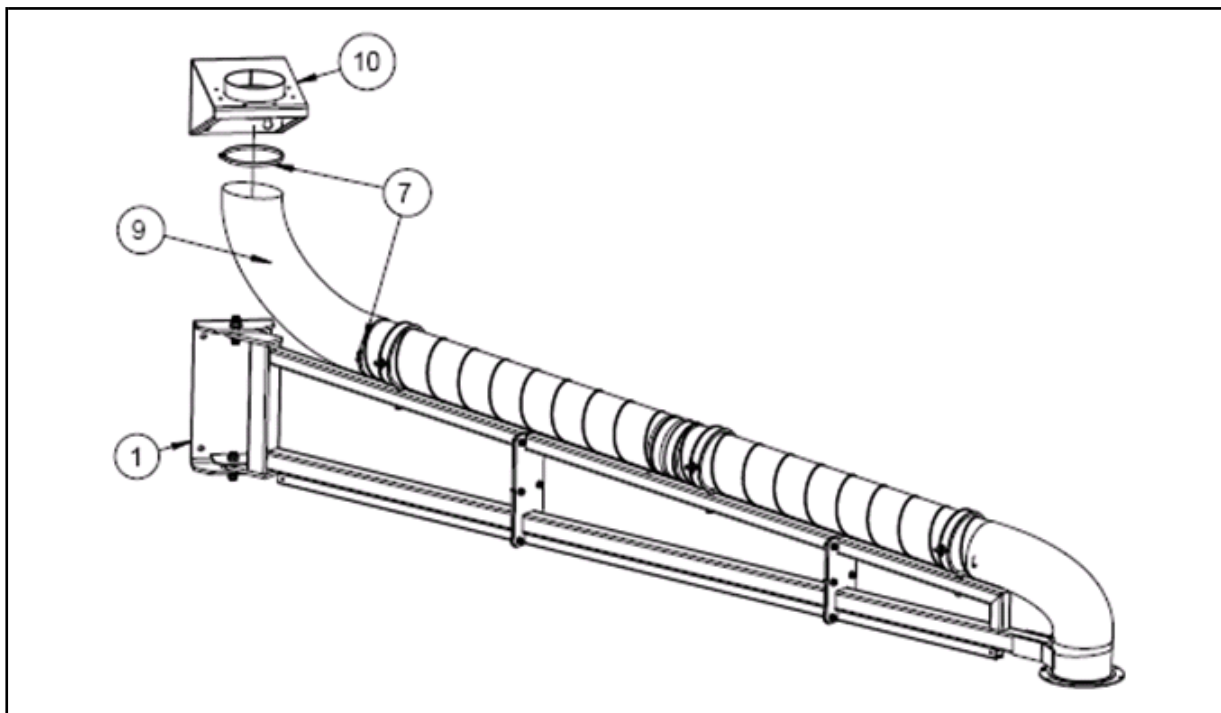
- 
- Push one hose clamp (7) on each end of the hose (6).
  - Mount the hose between the lower end of the pipe and the nozzle at the end of the wall bracket.
  - Tighten both hose clamps.



Pos.	Description	Pos.	Description
2	Pipe	5	Screw connection of the pipe clamp
3	Pipe clamp	8	Pipe nipple
4	 <p>DIN 522, Ø8/Ø25 DIN 522, Ø8/Ø25 DIN 934, M8 DIN 913, M8x70</p>		

In case of the 3-meters-wall bracket another pipe must be mounted, in case of the 4-meters-wall bracket two more pipes must be mounted:

- The connection between the individual pipes is carried out by means of pipe nipples (8). Insert the pipe nipple into one end of the pipe to be mounted.
- Mount the pipe (2) by means of the pipe clamp (3) to the upper square beam of the wall bracket and by inserting the pipe nipple (8) in the already mounted pipe. The pipe clamp must be positioned in the existing bores of the wall bracket and attached with the supplied assembly material (4). The pipes are fixed in the pipe clamp by means of their screw connections (5).

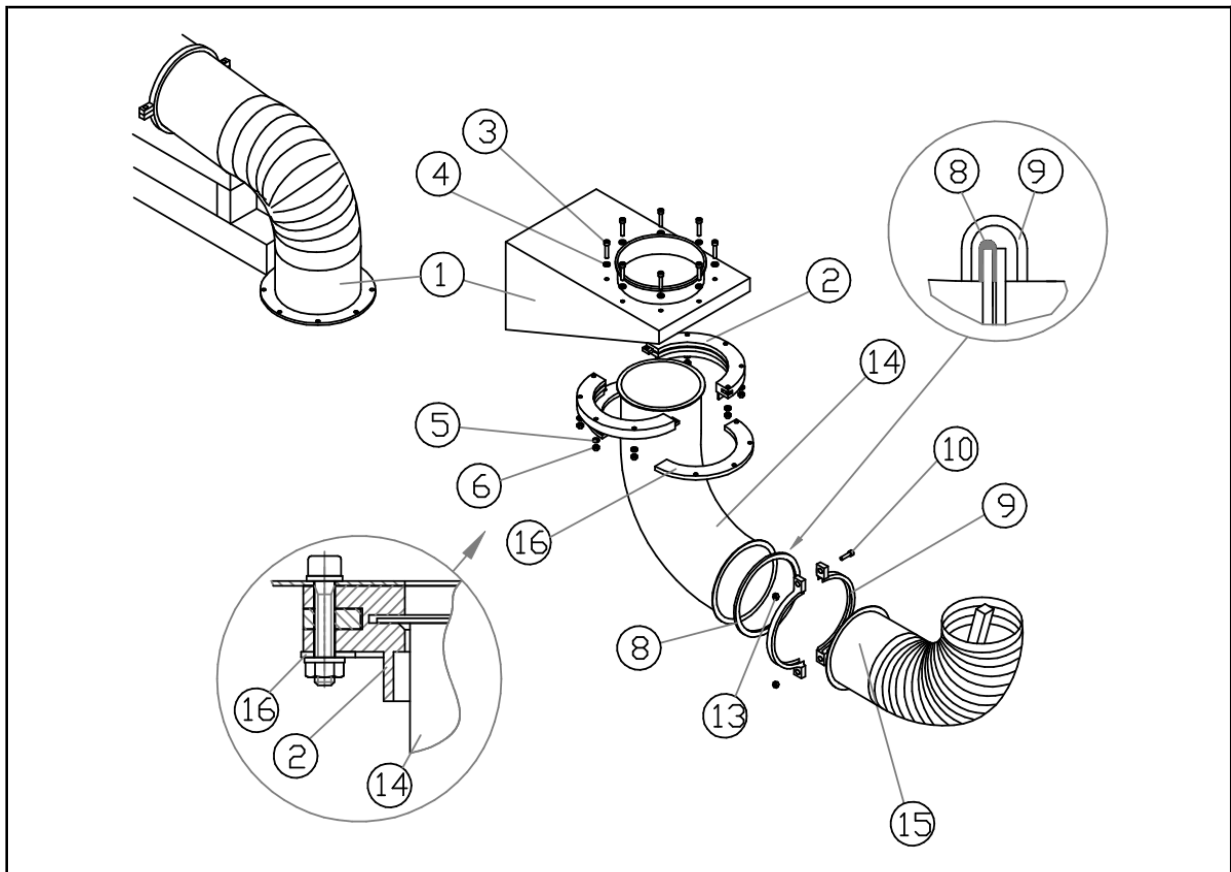








Pos.	Description	Pos.	Description
1	Wall bracket, complete	9	Hose (length 1,5 m)
7	Hose clamp	10	Wall holder

Then mount the wall bracket to the wall:

- Mount the wall bracket (1) and the wall holder (10) at the desired position. Refer to the instructions in chapter “Wall bracket” and “Wall console”. The wall holder must be attached above the wall bracket. (Alternatively, the wall bracket can be attached under an existing suction pipe of the production hall).
- **i** If the wall bracket is used in conjunction with the wall-mounted device “Caremaster-Wand” (see section 5.5.2), the wall holder is not required.
- Push one hose clamp (7) on the end of each hose (9).
- Put one end of the hose over the end of the pipe or the nozzle at the wall bracket (or directly at the existing suction pipe of the production hall).
- Tighten both hose clamps.

5.3.4. Pipe bend to the wall bracket or wall console



Pos.	Description	Pos.	Description
1	Wall console (or wall bracket)	9	Clamping ring, two-part
2	Flanged ring <b>i</b> Ø150: two-part / Ø200: single-part	10	 DIN 912, M8x35
3	 DIN 912, M6x45	13	 DIN 934, M8
4	 DIN 127, M6	14	Pipe bend
5	 DIN 125, M6	15	Suction arm, installed
6	 DIN 934, M6	16	Stabilizing flange, split <b>i</b> not used for Ø200
8	Rubber seal		

The pipe bend is used to divert from the vertical to the horizontal. The pipe bend is either attached directly to the wall console or to the end of the wall bracket.

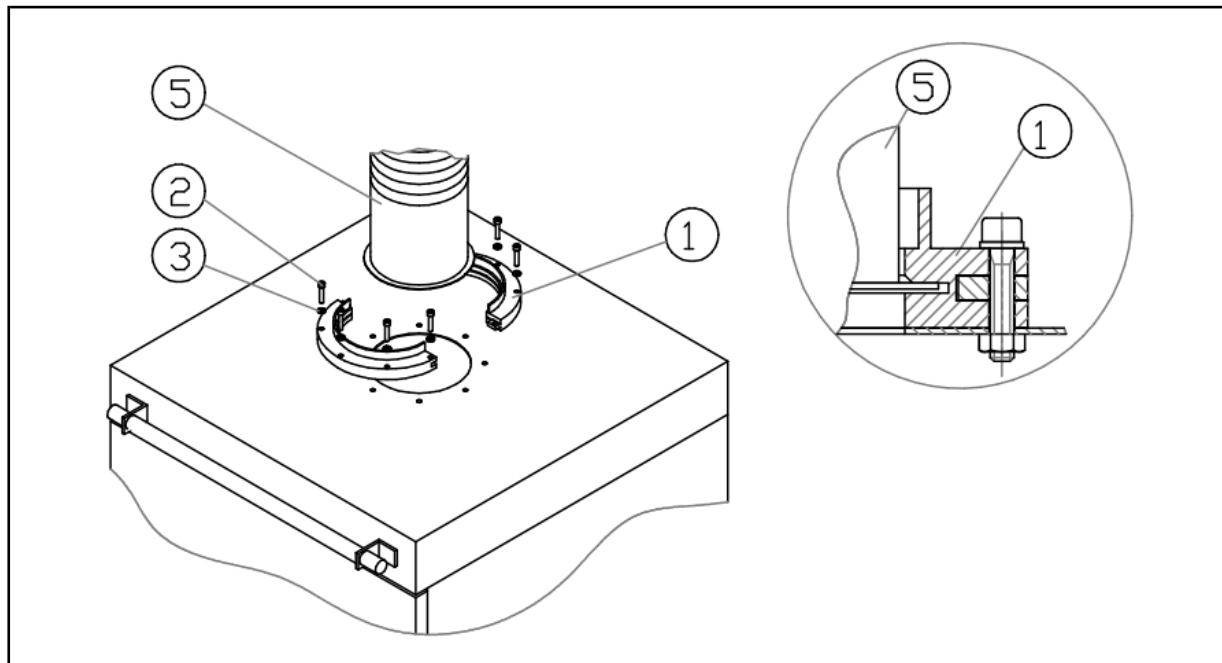
Proceed as follows for the installation of the pipe bend (14):



Suction arm in dimension $\varnothing 150$ mm:	Suction arm in dimension $\varnothing 200$ mm:
<ul style="list-style-type: none"> <li>Take the two parts of the plastic flanged ring (2) and push these sideways onto the flanged edge (d=169 mm) of the pipe bend (14). Ensure when doing this that the flanged ring is positioned correctly with respect to the stub.</li> <li>Hold the pipe bend with the plastic flanged ring in place from underneath against the opening in the wall console (1) and connect the parts using the supplied assembly material (3, 4, 5, 6). Screw in the stabilizing flange (16) as well. This must be offset by 90° on the plastic flanged ring.</li> <li>Do not fasten the screwed connections (too) tight. The pipe bend must still be able to turn within the plastic flanged ring. Check this before you continue working.</li> </ul>	<div data-bbox="837 571 1300 1041" data-label="Image"> </div> <p style="text-align: right; font-size: small;">Z.Nr. 18075702</p> <ul style="list-style-type: none"> <li>Take the plastic flanged ring (2) and put it over the crimping edge of the distance trim (17).</li> <li>Hold the distance trim with the plastic flanged ring in place from underneath against the opening in the wall console (1) and connect the parts using the supplied assembly material (3, 4, 5, 6).</li> <li>Hold the crimping edge of the pipe bend (14) against the crimping edge of the distance trim and connect it with the two-part clamping ring (9) using the supplied assembly material (10, 13).</li> <li>Do not fasten the screwed connections (too) tight. The pipe bend must still be able to turn. Check this before you continue working.</li> </ul>

The suction arm is attached directly to the pipe bend with a flange:

- Pull the rubber seal (8) over the flanged edge of the pipe bend (14).
- Hold the flanged edge of the connecting bracket of the suction arm (15) against the flanged edge of the pipe bend (14) and connect these with the two-part clamping ring (9) using the supplied assembly material (10, 13).
- It is essential to ensure that the suction arm is positioned correctly: the joint of the suction arm must be able to swivel downwards.

### 5.4. Attachment to a mobile filter unit



Pos.	Description	Pos.	Description
1	Plastic flanged ring, split	3	 DIN 127, M6
2	 DIN 912, M6x45	5	Pipe stub

Proceed as follows for the installation of the suction arm to a filter unit:

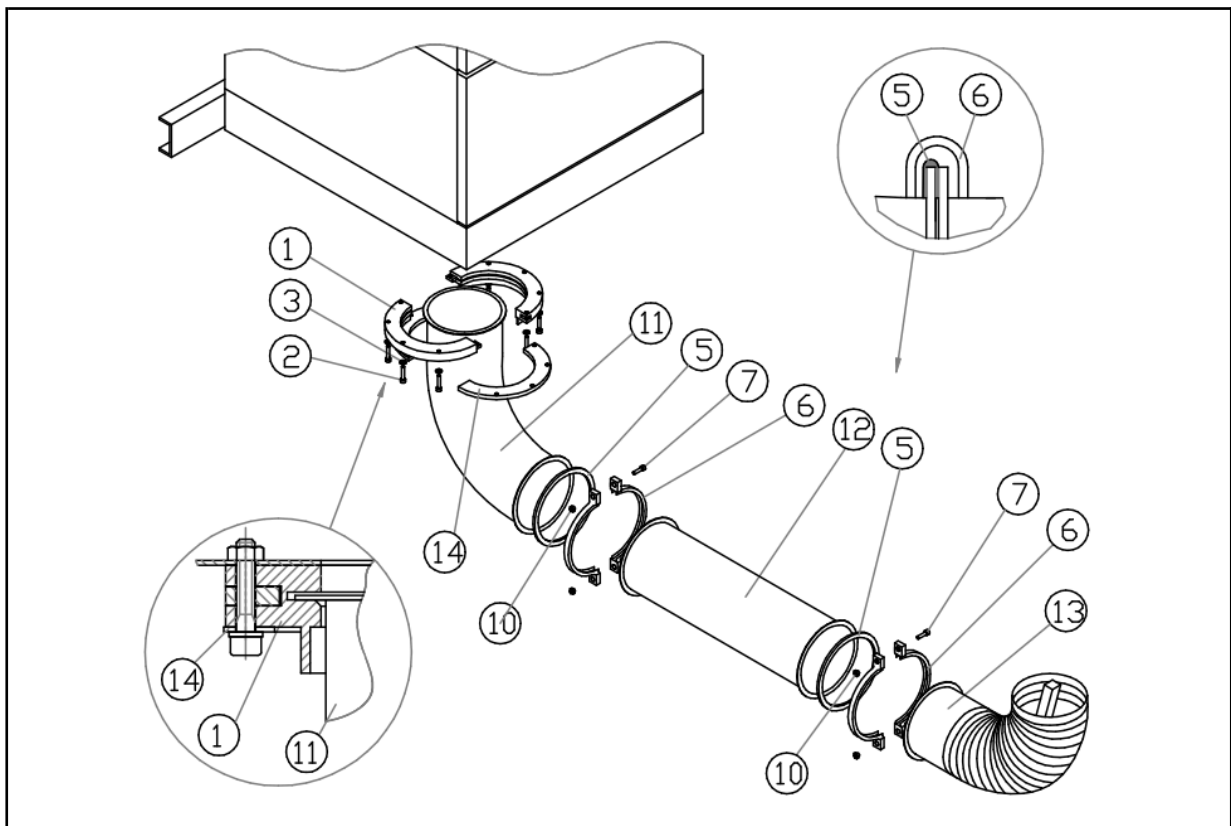
- Take the two parts of the plastic flanged ring (1) and push these sideways onto the flanged edge of the pipe stub (5) on the suction arm. Ensure when doing this that the flanged ring is positioned correctly with respect to the pipe stub.
- Hold the pipe stub with the plastic flanged ring in place from above against the suction inlet opening in the housing cover of the filter unit.
- Screw the plastic flanged ring tightly to the housing cover of the filter unit, using the supplied assembly material (2, 3).
- Do not fasten the screwed connections (too) tight. The suction arm must still be able to turn within the flanged ring. Check this before you continue working.






## 5.5. Attaching to a wall unit


### 5.5.1. Mounting of a suction arm to a wall-mounted device

Proceed as follows for the installation of the suction arm to a filter unit that is fixed to the wall:

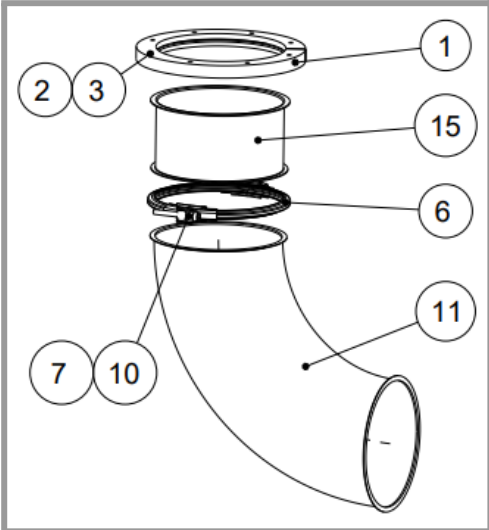
- Conversion of the lower joint (see section 5.1.),
- Attach the flanged ring and pipe bend to the wall unit,
- Attach the suction arm to the wall unit.



Pos.	Description	Pos.	Description
1	Flanged ring  Ø150: two-part / Ø200: single-part	7	 DIN 912, M8x35
2	 DIN 912, M6x45	10	 DIN 934, M8
3	 DIN 127, M6	11	Pipe bend
5	Rubber seal	12	Extension tube

6	Clamping ring, two-part	13	Suction arm, installed
		14	Stabilizing flange, split  not used for Ø200

Proceed as follows for the installation of the Pipe bend (11):

<p><b>Suction arm in dimension <u>Ø150</u> mm:</b></p> <ul style="list-style-type: none"> <li>Take the two parts of the plastic flanged ring (1) and push these sideways onto the flanged edge (d=169mm) of the Pipe bend (11). Ensure when doing this that the flanged ring is positioned correctly with respect to the stub.</li> <li>Hold the piece with the plastic flanged ring in place from underneath against the inlet opening of the wall unit and attach the plastic flanged ring using the supplied assembly material (2, 3). Screw in the stabilizing flange (14) as well. This must be offset by 90° on the plastic flanged ring.</li> <li>Do not fasten the screwed connections (too) tight. The Pipe bend must still be able to turn within the plastic flanged ring. Check this before you continue working.</li> </ul>	<p><b>Suction arm in dimension <u>Ø200</u> mm:</b></p>  <p style="text-align: right;"><small>Z.Nr. 18075702</small></p> <ul style="list-style-type: none"> <li>Take the plastic flanged ring (1) and put it over the crimping edge of the distance trim (15).</li> <li>Hold the distance trim with the plastic flanged ring in place from underneath against the inlet opening of the wall unit and attach the plastic flanged ring using the supplied assembly material (2, 3).</li> <li>Hold the crimping edge of the pipe bend (11) against the crimping edge of the distance trim and connect it to the two-part clamping ring (6) using the supplied assembly material (7, 10).</li> <li>Do not fasten the screwed connections (too) tight. The pipe bend must still be able to turn. Check this before you continue working.</li> </ul>
--	--

An extension tube (12) is integrated to maintain a minimum clearance between the suction arm and the filter unit:

- Pull the rubber seal (5) over the flanged edge of the pipe bend (11).



- 
- Hold the flanged edge of the extension tube (12) against the flanged edge of the pipe bend (11) and connect these with the two-part clamping ring (6) using the supplied assembly material (7, 10).

The suction arm is attached to the extension tube (12) by a flange:

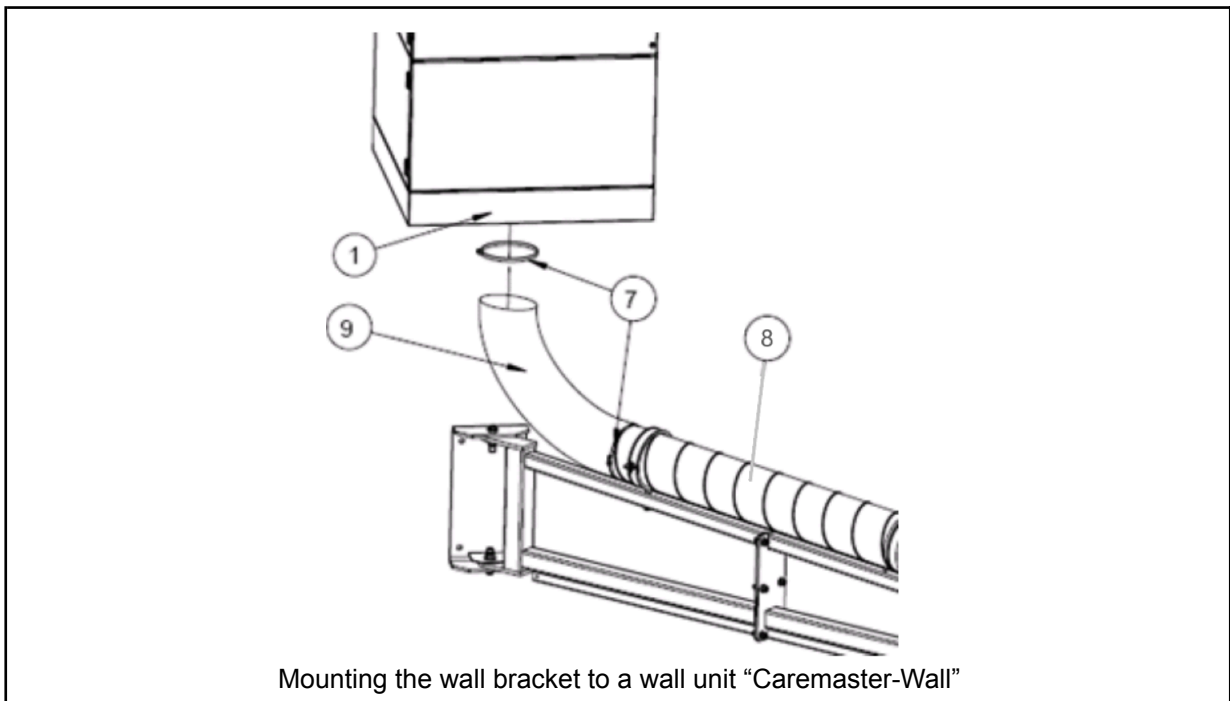
- Pull the rubber seal (6) over the flanged edge of the extension tube (12).
- Hold the flanged edge of the connecting bracket of the suction arm (13) against the flanged edge of the extension tube (12) and connect these with the two-part clamping ring (6) using the supplied assembly material (7, 10).
- It is essential to ensure that the suction arm is positioned correctly: the joint of the suction arm must be able to swivel downwards.

### 5.5.2. Mounting of a wall bracket with a wall-mounted device

Proceed as follows for the installation of the wall bracket to a filter unit that is fixed to the wall:

- Define the position of the wall bracket and the filter unit on the wall. Please refer to the instructions in section 5.3.1 as well as to the operating instructions of the filter unit. The filter unit must be mounted above the hose (pos. 9). The hose must not be kinked in its final position.
- Mount the wall bracket to the wall (see section 5.3.1 and 5.3.3).

**i** Particularity for the wall-mounted device “Caremaster-Wand”: the wall bracket is mounted without a wall holder.




Pos.	Description	Pos.	Description
1	Nozzle at the wall-mounted device	8	Pipe
7	Hose clamp	9	Hose (length 1,5 m)

- Push one hose clamp (7) on the end of each hose (9).
- Put one end of the hose over the end of the pipe (8) and one over the nozzle of the wall unit (1).
- Tighten both hose clamps.

## 5.6. Adjusting of the joints


If necessary, the throw force of the joints at the suction arm must be adjusted. This is important in order that the suction arm can be moved easily, but does not sink or back down.


- Adjust all the bolts and screws at the brake disks of the joints so that the suction arm can move easily but without sagging or drooping.

 The position of the brake discs can be found in chapter “List of spare parts”. If the brake disc is inside, the hose attachment must be detached at this place.

## 6. Maintenance

Regular maintenance work is necessary due to wear caused during operation. It is described in this chapter. Unless otherwise specified by national regulations, we recommend regular visual inspections and functional tests of the device as described in the chapter “Maintenance intervals”.

 You find the chapter “Maintenance intervals” at the end of the document. The general maintenance (visual inspection, etc.) is also explained there.

	<b>WARNING</b>
<b>Working at the suction arm entails the risk of an accidental restarting of the extraction unit.</b>	
Before carrying out any maintenance or cleaning at the suction arm, the extraction unit connected to the suction arm must be set to maintenance condition first (see chapter “Reset to maintenance state”).	
A re-commissioning of the extraction unit may only be carried out if it is ensured that the suction arm corresponds in its functions to the original state.	
<hr/>	
<b>Dangers to life and limb when non-original spare parts are used</b>	
Only original TEKA spare parts must be used.	

### 6.1. Reset to maintenance state

The extraction unit connected to the suction arm must be set to maintenance condition. Please refer to the instructions in the separate operating manual of the extraction unit.

### 6.2. Readjusting the joints

Readjusting is necessary when

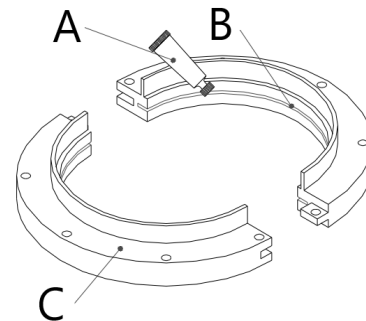
- the suction arm is hard to move,
- the suction arm sinks or backs down.

For readjusting proceed as described in chapter “Adjusting of the joints”.

### 6.3. Relubricating the plastic flanged ring

The plastic flanged ring must be relubricated at regular intervals. At the latest, however, when the suction arm can no longer be rotated easily.

The procedure is described in the chapter “Lubricating the plastic flanged ring”.



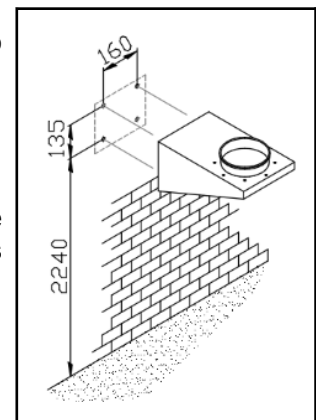
### 6.4. Inspecting the fixing test of the wall console




This section only applies to wall-mounted suction arms.

Regular actions at the suction arm (pulling, pushing, swivelling) also result in strain at the wall console fixing. Screw connections may become loose over time.

- Move the suction arm and look to see whether the wall console also moves.
- Check whether the wall console's screw connections are loose. Re-tighten the screw connections until they are hand tight.
- Also check whether any damage, cracks or similar problems can be observed at the wall or support structure. If in any doubt, it is necessary to fully remount the wall console.

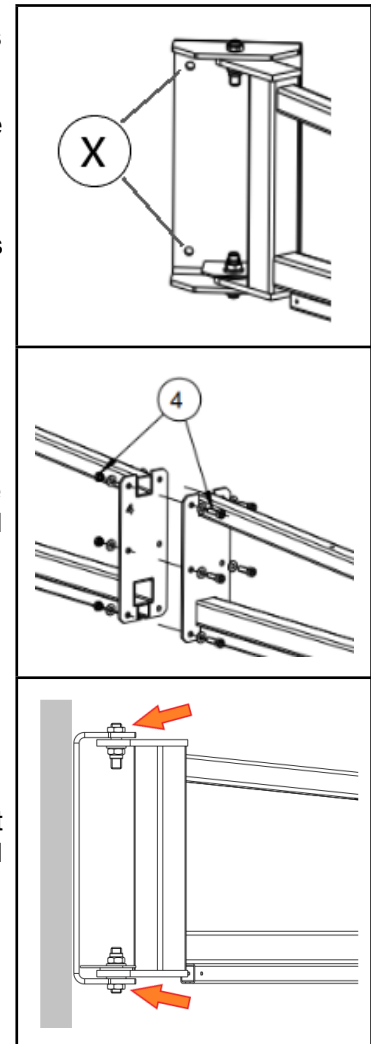


## 6.5. Inspecting the fixing and functioning of the wall bracket

 This section only applies to suction arms that are mounted on the wall by means of a wall bracket.


Regular actions at the suction arm (pulling, pushing, swivelling) also result in strain at the wall bracket fixing. Screw connections may become loose over time.

- Move the suction arm and look to see whether the wall bracket's wall console also moves.
- Check whether the wall console's (X) screw connections are loose. Re-tighten the screw connections until they are hand tight.
- Also check whether any damage, cracks or similar problems can be observed at the wall or support structure. If in any doubt, it is necessary to fully remount the wall bracket.
- Check whether the screw connections (4) of the segments of the wall bracket are loose. Re-tighten the screw connections until they are hand tight.
- Check whether the joint screw connections of the wall bracket are loose. Re-tighten the screw connections until they are hand tight.



## 7. Dismantling / Disposal

Only authorised personnel may disassemble the machine.

	<b>CAUTION</b>
	<p><b>Whirling up dust is possible due to the deposited dust.</b> During all work a suitable respiratory protection and protective clothing have to be worn.</p>

## 8. Diagnostics and troubleshooting

A list of possible system errors is provided in the table.

A recommissioning of the device must only occur if it is ensured that the system is functionally equivalent to the original state. Repairs may only be carried out by TEKA personnel or, after consultation with TEKA GmbH, by the personnel authorised by the operator.


Adhere to the instructions in the chapter "Safety instructions" and "Maintenance" when carrying out any repairs. If in doubt, contact our TEKA service department:

Tel: +49 2541-84841-0  
E-mail: info@teka.eu

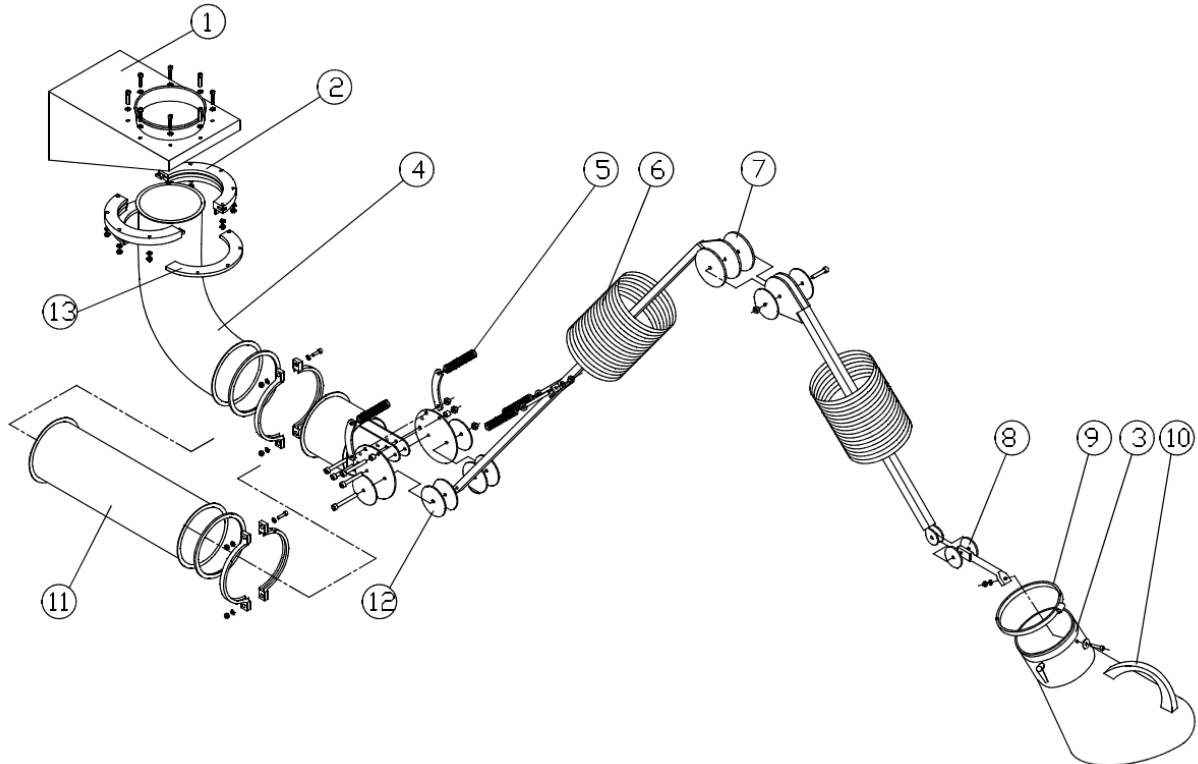
Fault	Cause	Removal
No suction / minimal suction (Smoke/fumes/gases are not extracted at all or only slightly).	Suction arm not connected to the extraction unit.	Connect the suction arm to the extraction unit.
	Damage to the hoses / pipes.	Replace the hoses / pipes.
	Hoses / pipes are restricted / blocked.	Check the suction channel, remove any obstacles that are found.
	The throttle valve at the suction hood is closed.	Open the throttle valve.

## 9. List of spare parts

	<b>WARNING</b>
	<p><b>Dangers to life and limb when non-original spare parts are used.</b> Only original TEKA spare parts must be used.</p>

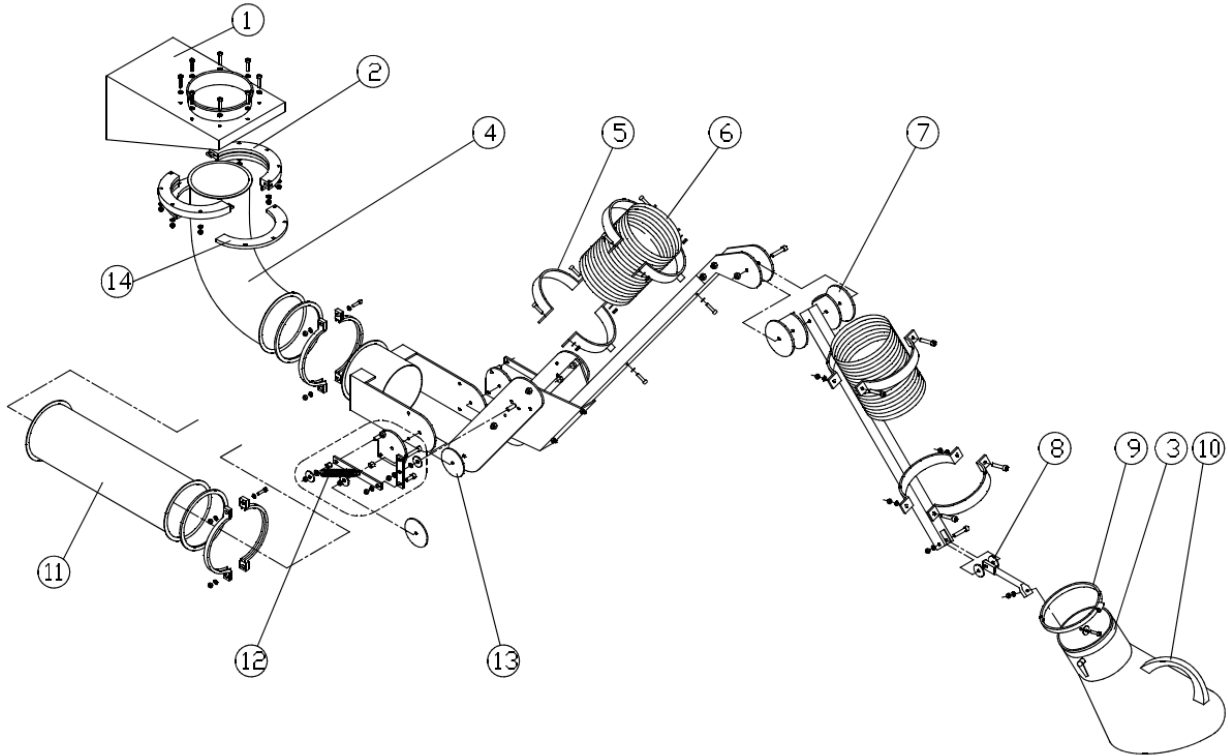
 The parts lists only treat the suction arms of nominal diameter 150 mm. Spare parts for other nominal widths are to be requested separately.

### 9.1. Hose type, with internal joints



Pos.	Designation	Art-No.
1	Wall console	96010005
2	Plastic bearing ring, two-part	10421
–	Lubricating paste for plastic bearing ring (Pos.2)	4090000008
3	Rubber band	1003310001
4	Pipe bend	101923
5	Tension spring Ø 30 x 385	1019385
6	Hose for 2 m suction arm	101925
	Hose for 3 m suction arm	101926
	Hose for 4 m suction arm	101927
7	Brake disk Ø 100; 2 pcs	1019070002
8	Brake disk Ø 55; 2 pcs	1019070003
9	Hose clip	10228
10	Extraction hood	66200
11	Extension tube	10193001
12	Brake disk Ø 80; 2 pcs	1019070001
13	Stabilizing flange, split	402429005

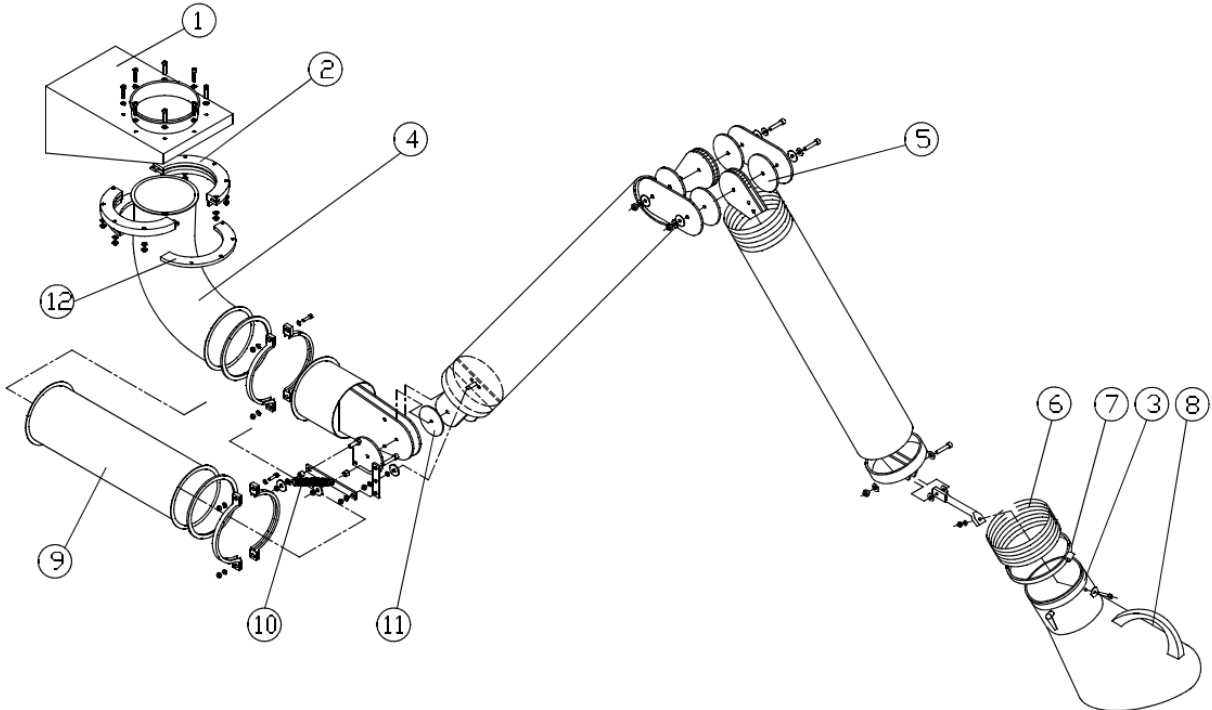
## 9.2. Hose type, with external joints



Pos.	Designation	Art-No.
1	Wall console	96010005
2	Plastic bearing ring, two-part	10421
-	Lubricating paste for plastic bearing ring (Pos.2)	4090000008
3	Rubber band	1003310001
4	Pipe bend	101923
5	Pipe clip	41414
6	Hose for 2 m suction arm	101925
	Hose for 3 m suction arm	101926
	Hose for 4 m suction arm	101927
7	Brake disk Ø 100; 2 pcs	1019070002
8	Brake disk Ø 55; 2 pcs	1019070003
9	Hose clip	10228
10	Extraction hood	66200
11	Extension tube	10193001
12	Tension spring Ø 26 x 185	101918
13	Brake disk Ø 80; 2 pcs	1019070001
14	Stabilizing flange, split	402429005

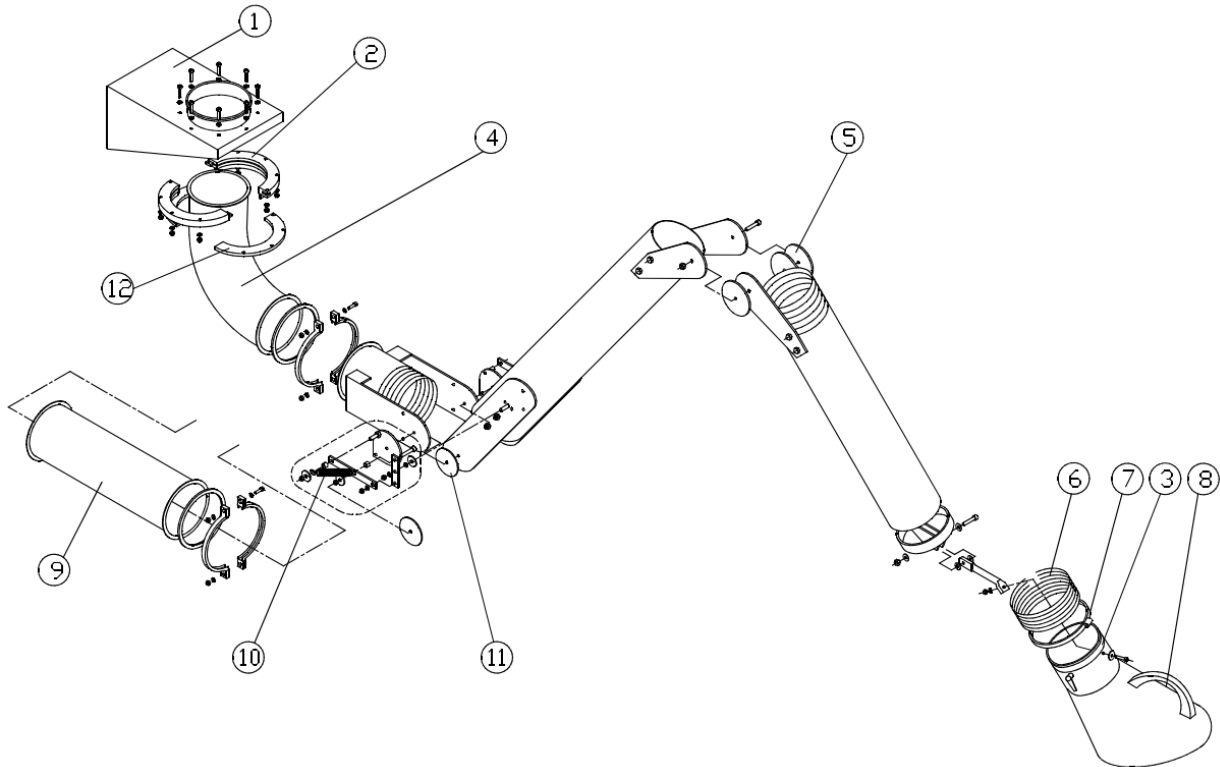


### 9.3. Pipe type, with internal joints



Pos.	Designation	Art-No.
1	Wall console	96010005
2	Plastic bearing ring, two-part	10421
-	Lubricating paste for plastic bearing ring (Pos.2)	4090000008
3	Rubber band	1003310001
4	Pipe bend	101923
5	Brake disk Ø 100; 2 pcs	1019070002
6	Hose set, (1 set = 3 pcs)	100043
7	Hose clip	10228
8	Extraction hood	66200
9	Extension tube	10193001
10	Tension spring Ø 26 x 185	101918
11	Brake disk Ø 80; 2 pcs	1019070001
12	Stabilizing flange, split	402429005

### 9.4. Pipe type, with external joints



Pos.	Designation	Art-No.
1	Wall console	96010005
2	Plastic bearing ring, two-part	10421
-	Lubricating paste for plastic bearing ring (Pos.2)	409000008
3	Rubber band	1003310001
4	Pipe bend	101923
5	Brake disk Ø 100; 2 pcs	1019070002
6	Hose set, (1 set = 3 pcs)	100043
7	Hose clip	10228
8	Extraction hood	66200
9	Extension tube	10193001
10	Tension spring Ø 26 x 185	101918
11	Brake disk Ø 80; 2 pcs	1019070001
12	Stabilizing flange, split	402429005

## 10. Technical data

Allowed ambient temperature	°C	+5 to +35 (during operations) -10 to +40 (during transport and storage)
Allowed max. humidity	%	70

## 11. Maintenance intervals

### 11.1. Usage-related maintenance

The described maintenances become necessary through the demands of the system operations. The maintenance intervals are recommendations. Depending on the application (multi-shift operation, dust generation, ...) it may make sense for the operator to change the intervals of maintenance, replacing and cleaning.

Maintenance work must always be documented by means of a protocol.

The approach of the maintenance measures is described in chapter "Maintenance".

Maintenance work	Chapter	Maintenance interval	
		recommended by TEKA	determined by the operator
Readjusting the joints/check if readjusting is necessary	6.2.	monthly	
Relubricating the plastic flanged ring / check if relubricating is necessary	6.3.	annually	
Fixing the wall console	6.4.	annually	
Inspecting the fixing and functioning of the wall bracket	6.5.	annually	

### 11.2. General maintenance


The described maintenances are independent from the demands of the system operations.

Maintenance work must always be documented by means of a protocol.

Maintenance work	Chapter	Maintenance interval
<b>Visual</b> inspection of the suction arm	11.2.1	weekly

#### 11.2.1. Visual inspection of the suction arm

**Visual inspection:** Observation that there are no visible safety-related defects.

	<b>WARNING</b>
<p><b>Danger arising from the ready to operate condition of the device.</b> Follow the procedure as described in the chapter "Set to maintenance state".</p>	

The following steps must be carried out in the course of the visual inspection:

- Check the suction arm for leakages, escaping dust and dust deposits. Dust deposits must be eliminated.
- Check the suction arm for damages. If necessary, replace parts.